

TDS Q160708. 0917

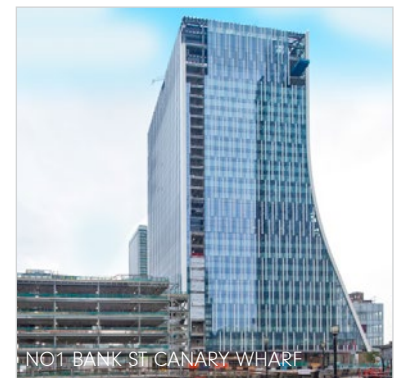
OUTPUT 175kW -1250kW
MAX OPERATING TEMP 100°C

PRESSURE RANGE

DESIGN PRESSURE 8 BARS
OPERATING PRESSURE 7 BARS
TEST PRESSURE 10.4 BARS
DRY WEIGHT 664-2378 KGS

TR-C SERIES

GAS OR LPG 3-PASS
STAINLESS STEEL
CONDENSING
HOT WATER BOILERS



97%GCV at 50/30°C flow,
88%GCV at 80/60°C flow

Three pass design gives balanced heat transfer

Compact design gives easy installation to boiler room

Stable performance at low heat loads

Standing losses minimised by means
of 100mm thick glass silk insulation

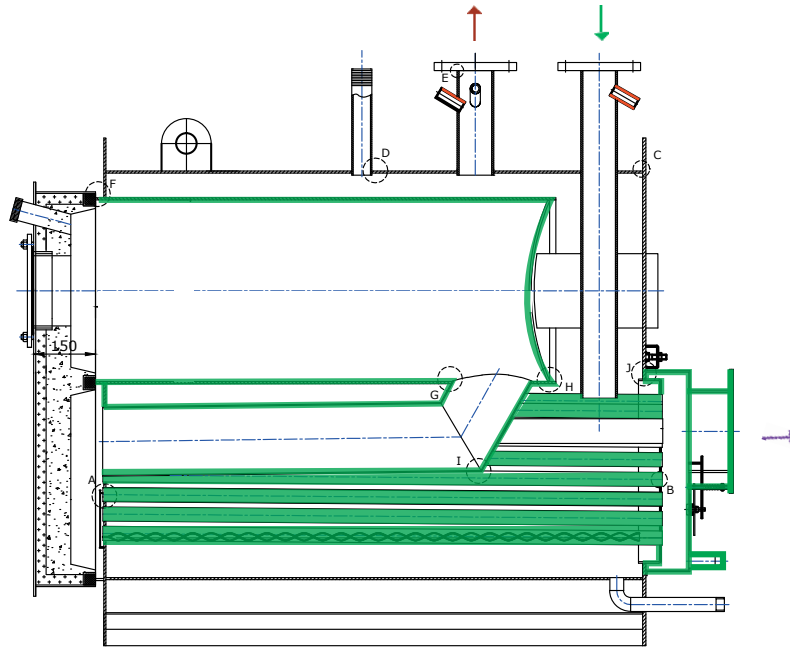


FOR TECHNICAL HELP/ADVICE Call 0161 621 5960
or email technicalsales@atlanticboilers.com

FOR FULL PRODUCT RANGE & LITERATURE
Visit www.atlanticboilers.com

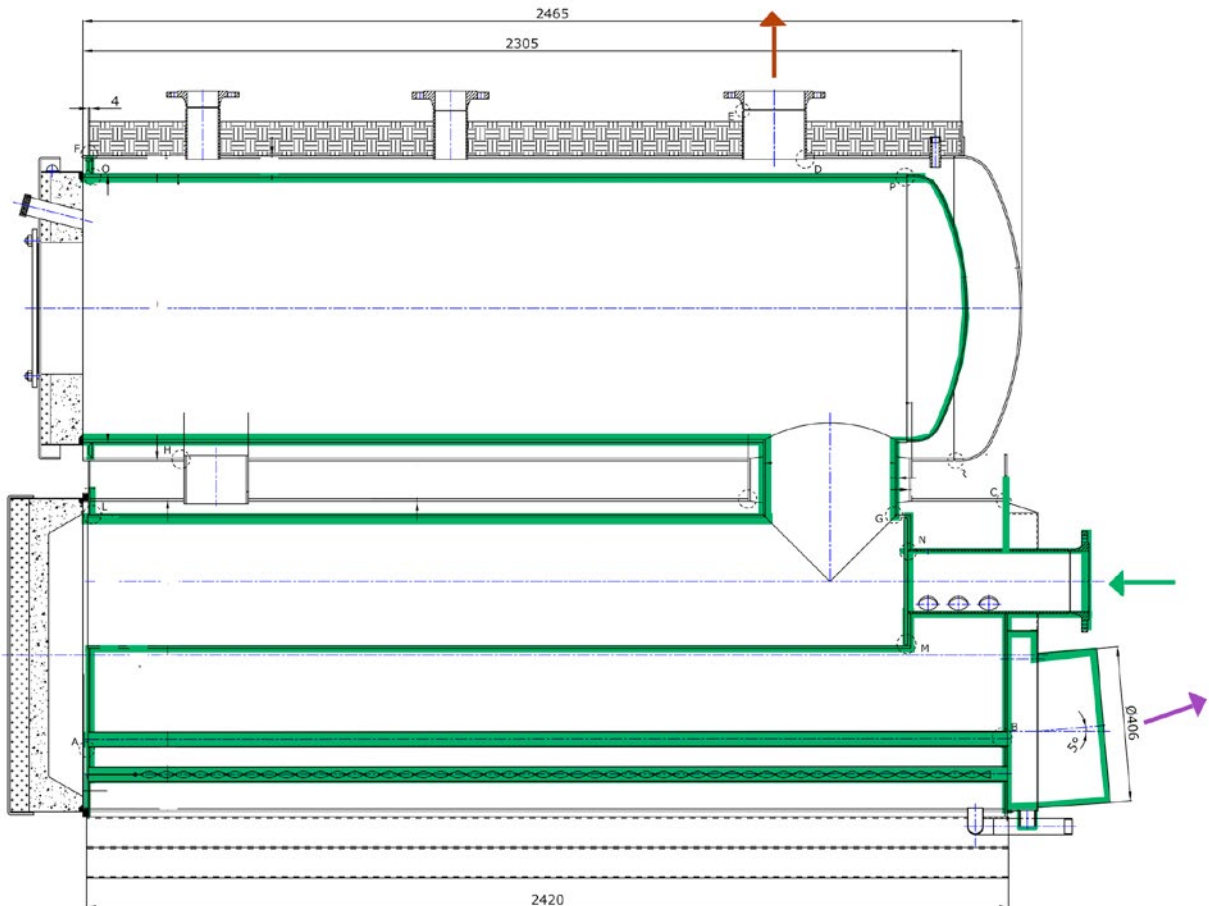
TR-C 175

■ Stainless steel

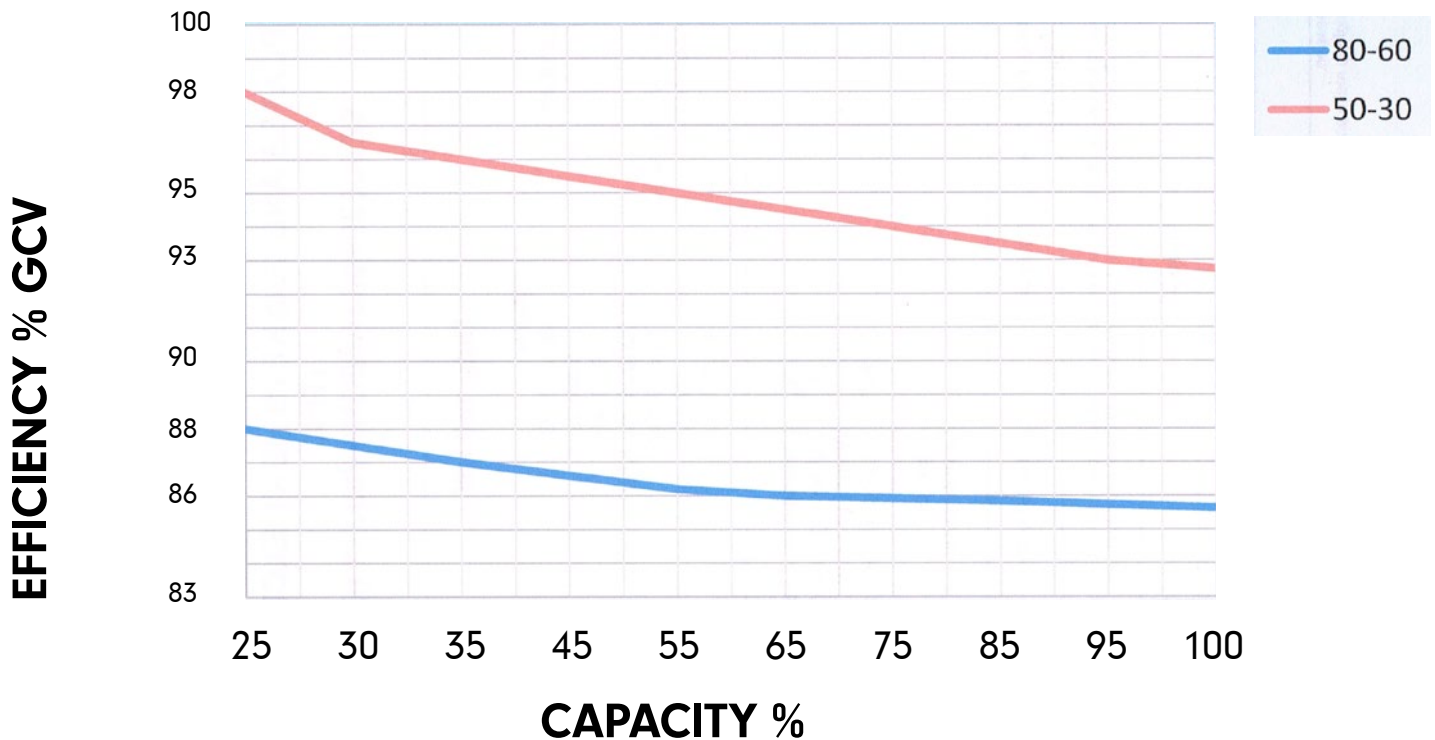


TR-C 1250

■ Stainless steel



EFFICIENCY TR-C



DESIGN & CONSTRUCTION to the following codes:

90/396/EC Directive, TS EN 303-1, TS EN 303-3, TS EN 15417

Pressurised components to S235JR TS EN 10025, condensing AISI 316 TI TS EN 10088

Tubes to P325GH TS EN10217-2 normalised, electrical resistance welded

Flanges to AISI 304 TS EN 102127-7 In-built stainless steel tubes,

Insulation from 80mm thick aluminium foil-covered glass wool and clad with cold-rolled steel plate

Boiler body made of steel to NBN DO6001 and DIN4702,
with a water-cooled combustion chamber

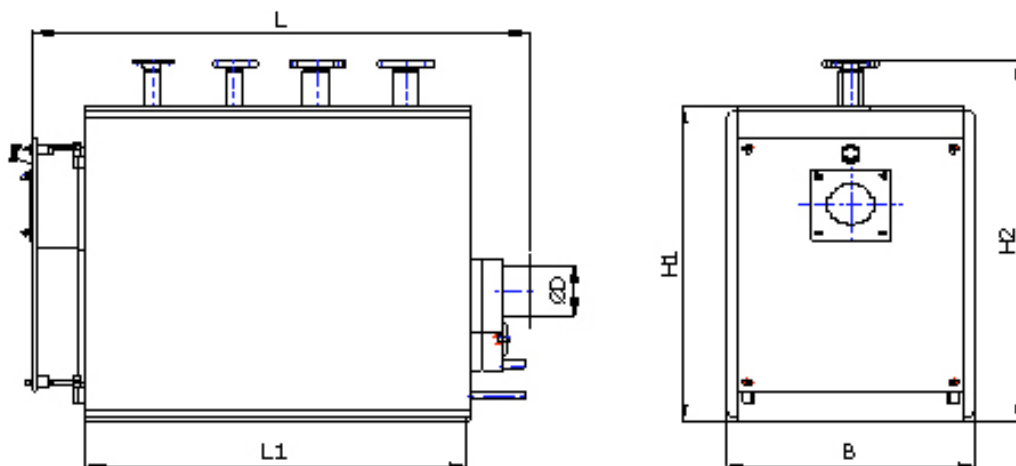
Heavy ceramic fibre ring access to combustion chamber, the door insulated by ceramic fibre refractories
A steel jacket has a baked enamel finish covering an 80 mm layer of glass wool blanket.

The boilers have approval under CE Directive 90/396/EC

TR-C 175 - 1250 DIMENSIONS & CONNECTIONS

Model TRC		TRC175	TRC230	TRC290	TRC350	TRC465	TRC625	TRC810	TRC1000	TRC1250
Capacity	kW	175	230	290	350	465	625	810	1000	1250
L	mm	1690	1790	1940	2095	2230	2255	2683	2500	2737
L1 minimum width	mm	1300	1400	1550	1700	1820	1820	2220	2010	2420
B	mm	875	875	900	900	710	790	790	860	860
H1	mm	1250	1250	1300	1300	1643	1783	1783	1968	1968
H2	mm	1413	1413	1465	1465	1740	1880	1880	2065	2065
Flue Diameter	mm	200	200	250	250	300	300	300	400	400
Flow valve outlet	DN	80	80	100	100	100	100	125	125	150
Return Valve Inlet	DN	80	80	100	100	100	100	125	125	150
Drain Outlet	DN	40	40	50	50	50	50	65	65	80
Safety valve manifold SF	DN	40	40	50	50	50	50	65	65	80
Water Content	ltrs	490	520	580	620	520	540	720	810	960
Flue Pressure Loss	mbar	1.6	2.8	4.1	5.4	4.1	4.6	5.1	5.7	6.4
Dry Weight	kg	664	701	839	1003	1271	1500	1703	1965	2378

TR-C 175-350



TR-C 465 - 1250

