

TDS 160302

RANGE

95 - 6470kW

T TOTALECO

BOILER ADD ON CONDENSING ECONOMISER

**12 Models: 130kW / 200kW / 300kW /
465kW / 710kW / 1080kW / 1430kW / 1870kW /
2440kW / 3230kW / 4260kW / 5630kW**

Simple boiler add-on

Efficiency raised above 97% GCV

Stainless steel heat exchanger

Ideal for swimming pools

Up to 8 BARS working pressure

SPECIFICATION

The Totaleco heat exchanger is constructed so that all components in contact with the products of combustion or the condensate are manufactured from the austenitic stainless steel using chromium, nickel and molybdenum. The products of combustion initially enter a steel chamber clad in thermal insulation.

The products then pass through a battery of perfectly smooth austenitic stainless steel tubes with a consequent lowering of temperature and the production of condensate. The battery is manufactured for a working pressures of 4 BARS with a test pressure of 6BARS. The pipework connections are flanged and fitted with safety valve and drain connections. The outlet chamber entirely constructed of austenitic stainless steel and is fitted with a condensate drain for PVC connection.

The Totaleco is enclosed in a reinforced sheet steel casing having two preparation treatments before being enamel painted and oven baked to 200 to produce a guaranteed high quality finish. Insulation is provided overall by a 40mm thick glass silk blanket.



FOR TECHNICAL HELP/ADVICE Call 0161 621 5960
or email info@atlanticboilers.com

FOR FULL PRODUCT RANGE & LITERATURE
Visit www.atlanticboilers.com

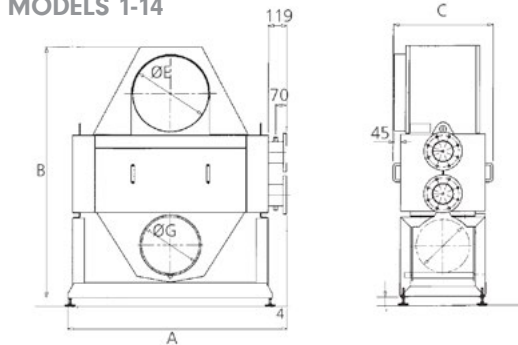
PERFORMANCE

Model	T1	T2	T3	T4	T7	T10	T14	T18	T24	T32	T42	T56
Max range kW	130	200	300	465	710	1080	1430	1870	2440	3230	4260	5630
Resistance to flue gases (mBAR)	0.5	0.4	0.4	3.0	2.7	2.7	2.2	2.2	2.2	2.2	2.2	2.2
Water flow (l/sec)	1.9	3.1	4.7	7.2	10.8	16.7	22.2	28.9	37.8	50.0	65.8	86.9
Pressure drop (kPA)	8.0	12.0	23.0	33.0	50.0	55.0	40.0	52.0	72.0	92.0	140.0	152.0
Min range (kW)	95	150	230	350	540	815	1240	1630	2150	2800	3700	4900
Resistance to flue gases (mBAR)	0.2	0.2	0.2	1.0	1.0	1.0	1.3	1.3	1.3	1.3	1.3	1.3
Water flow (l/sec)	0.8	1.1	1.7	2.2	3.3	5.3	6.9	9.2	11.7	15.5	20.6	26.9
Pressure drop (kPA)	1.0	1.0	1.2	1.3	1.8	1.8	3.9	5.3	7.2	9.1	13.0	14.0
Dry Weight kg	135	160	190	205	250	335	396	510	660	825	1015	1250
Water content (ltr)	22	27	34	40	51	86	107	130	163	227	290	375
Min water pressure	1	1	1	1	1	1	1	1	1	1	1	1
Standard water pressure	4	4	4	4	4	4	4	4	4	4	4	4

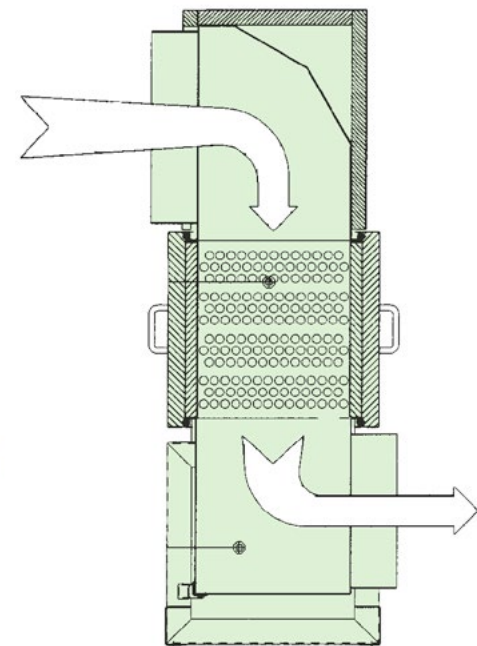
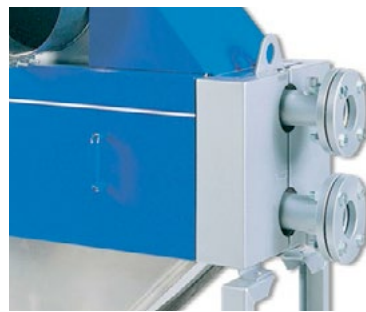
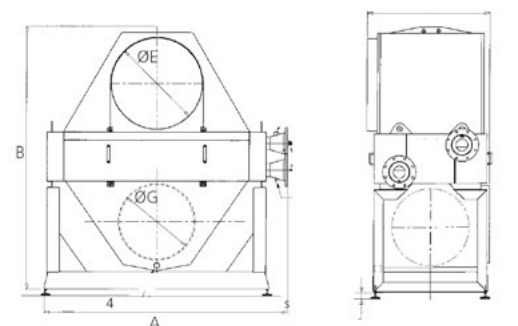
DIMENSIONS & CONNECTIONS

Model	T1	T2	T3	T4	T7	T10	T14	T18	T24	T32	T42	T56
Height mm	995	1080	1175	1400	1505	1850	1650	1790	2140	2370	2570	2740
Width mm	770	965	1245	989	1310	1427	1577	1795	2080	2290	2500	2530
Depth mm	538	538	538	538	538	650	706	712	820	931	1043	1267
Flue Inlet mm	840	900	970	1170	1250	1345	1345	1450	1695	1875	2005	2145
Flue inlet diameter mm	200	250	300	350	400	500	500	550	650	750	850	950
Flue outlet mm	215	250	270	300	350	400	500	550	650	750	850	950
Flue outlet diameter mm	200	200	250	300	350	400	400	450	550	650	700	800
Water inlet mm	413	448	493	567	622	680	680	784	945	1075	1175	1245
Water outlet mm	224	224	224	306	306	280	280	252	279	279	279	279
Option flue outlet mm	202	222	262	292	347	336	336	385	509	556	634	675
Option flue outlet dia meter mm	180	200	200	250	250	350	350	400	500	600	700	800
Water inlet/outlet	-	-	-	-	-	-	-	205	340	374	434	648
Water connections DN	65	65	65	100	100	125	125	150	200	200	200	200
Safety valve connection	15	15	15	15	15	15	15	28	28	28	32	32
Drain connection	15	15	15	15	15	15	15	15	15	15	15	15
PVC Condensate outlet	32	32	32	32	32	32	32	32	63	63	63	63

MODELS 1-14



MODELS 18-56



FOR TECHNICAL HELP/ADVICE Call 0161 621 5960
or email info@atlanticboilers.com

FOR FULL PRODUCT RANGE & LITERATURE
Visit www.atlanticboilers.com