

TR SERIES 3 PASS HOT WATER BOILERS

Burning natural gas, liquid petroleum gas, diesel oil and B100 bio-diesel

Easy access and installation

High performance on modulating flame

OUTPUTS
80kW - 1250kW

STANDARD PRESSURES
3BARS - 8BARS

SPECIAL ORDER
10BARS - 14BARS

FLOW TEMPERATURE
60°C - 120°C



TR 80 - TR350
Width 700mm - 950mm



TR465- TR1250
Width 800mm - 960mm

FOR TECHNICAL HELP/ADVICE Call 0161 621 5960
or email info@atlanticboilers.com

FOR FULL PRODUCT RANGE & LITERATURE
Visit www.atlanticboilers.com

**ATLANTIC
BOILERS**
HIGH EFFICIENCY CONDENSING BOILER-PLANT

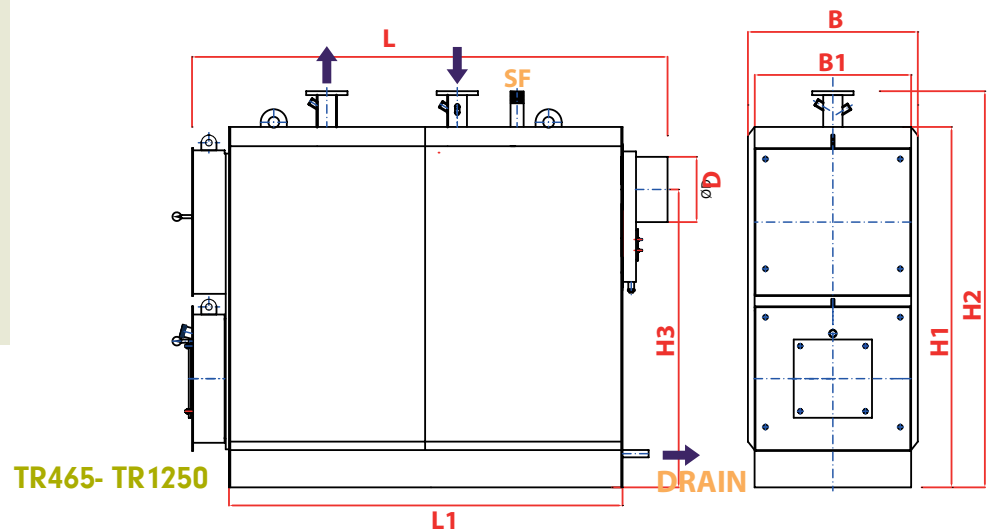
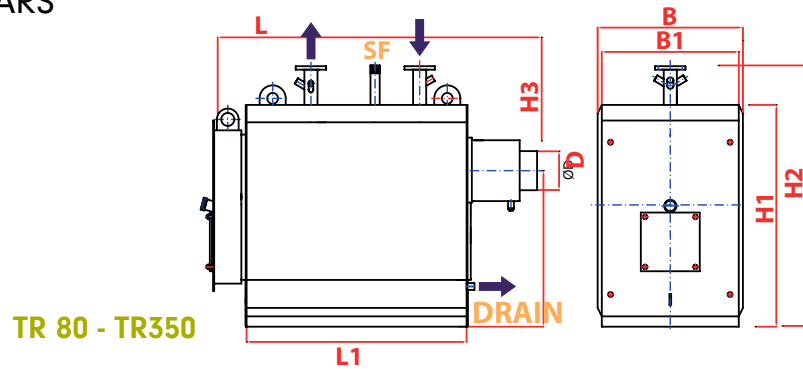
TR80kW to TR 1250kW

STANDARD PRESSURES 3BARS - 8BARS

SPECIAL ORDER 10BARS - 14BARS

MAIN FEATURES

- Easy access due to narrow boiler width
- Well-distributed expansion pattern
- Balanced flue gas flow give longer life and low NOx
- Maximum efficiency from turbulators in 3rd Pass
- Aluminium clad 80mm glass wool insulation leads to low standing losses
- Boiler panels fit snugly at factory or on-site



| Model | TR80 | TR105 | TR150 | TR200 | TR250 | TR300 | TR350 | TR465 | TR600 | TR810 | TR1000 | TR1250 |
|----------------------------|------|-------|-------|-------|-------|-------|-------|-------|-------|-------|--------|--------|
| Capacity kW | 80 | 105 | 150 | 200 | 250 | 300 | 350 | 465 | 600 | 810 | 1000 | 1250 |
| L1 mm minimum width | 1020 | 1020 | 1120 | 1300 | 1340 | 1590 | 1640 | 1810 | 1810 | 2210 | 2010 | 2410 |
| L mm | 1510 | 1510 | 1610 | 1790 | 1840 | 2090 | 2137 | 2187 | 2200 | 2612 | 2422 | 2827 |
| B1 mm minimum width | 630 | 630 | 790 | 790 | 870 | 870 | 870 | 720 | 800 | 800 | 900 | 900 |
| B mm | 750 | 750 | 910 | 910 | 990 | 990 | 990 | 840 | 920 | 920 | 1020 | 1020 |
| H1 mm | 1020 | 1020 | 1230 | 1230 | 1340 | 1340 | 1340 | 1658 | 1798 | 1798 | 1983 | 1983 |
| H2 mm | 1200 | 1200 | 1408 | 1410 | 1518 | 1522 | 1522 | 1825 | 1967 | 1967 | 2155 | 2160 |
| H3 mm | 718 | 718 | 895 | 895 | 948 | 948 | 985 | 1370 | 1535 | 1535 | 1670 | 1670 |
| Flue Diameter mm | 180 | 180 | 200 | 200 | 200 | 200 | 240 | 300 | 300 | 300 | 400 | 400 |
| Flow valve outlet | DN50 | DN50 | DN50 | DN65 | DN65 | DN65 | DN65 | DN80 | DN80 | DN100 | DN100 | DN125 |
| Return Valve Inlet | DN50 | DN50 | DN50 | DN65 | DN65 | DN65 | DN65 | DN80 | DN80 | DN100 | DN100 | DN125 |
| Drain Outlet | DN32 | DN32 | DN40 | DN40 | DN40 | DN40 | DN50 | DN50 | DN50 | DN65 | DN65 | DN80 |
| Safety valve manifold SFmm | 40 | 40 | 50 | 50 | 50 | 50 | 65 | 65 | 65 | 80 | 80 | 100 |
| Water Content ltrs | 220 | 230 | 400 | 460 | 520 | 620 | 620 | 550 | 580 | 690 | 790 | 930 |
| Dry Weight kg | 335 | 340 | 500 | 560 | 655 | 825 | 875 | 1140 | 1700 | 2085 | 2510 | 2930 |
| Flue Pressure Loss mBARS | 0.7 | 0.9 | 1.3 | 1.8 | 2.3 | 2.7 | 3.0 | 4.8 | 4.8 | 4.8 | 5.5 | 6.3 |

FOR TECHNICAL HELP/ADVICE Call 0161 621 5960

or email info@atlanticboilers.com

FOR FULL PRODUCT RANGE & LITERATURE

Visit www.atlanticboilers.com



HIGH EFFICIENCY CONDENSING BOILER-PLANT