

# TR SERIES 3 PASS HOT WATER BOILERS

Burning natural gas, liquid petroleum gas, diesel oil and B100 bio-diesel

Narrow Design for easy access and installation

High performance on modulating flame

OUTPUTS  
80kW - 1250kW

STANDARD PRESSURES  
3BARS - 8BARS

SPECIAL ORDER  
10BARS - 14BARS

FLOW TEMPERATURE  
60°C - 120°C



LLOYDS  
CERTIFICATE



**TR 80 - TR350**

Width 700mm - 950mm



**TR465- TR1250**

Width 800mm - 960mm

**FOR TECHNICAL HELP/ADVICE** Call 0161 621 5960  
or email [info@atlanticboilers.com](mailto:info@atlanticboilers.com)

**FOR FULL PRODUCT RANGE & LITERATURE**  
Visit [www.atlanticboilers.com](http://www.atlanticboilers.com)

**ATLANTIC  
BOILERS**

HIGH EFFICIENCY CONDENSING BOILER-PLANT

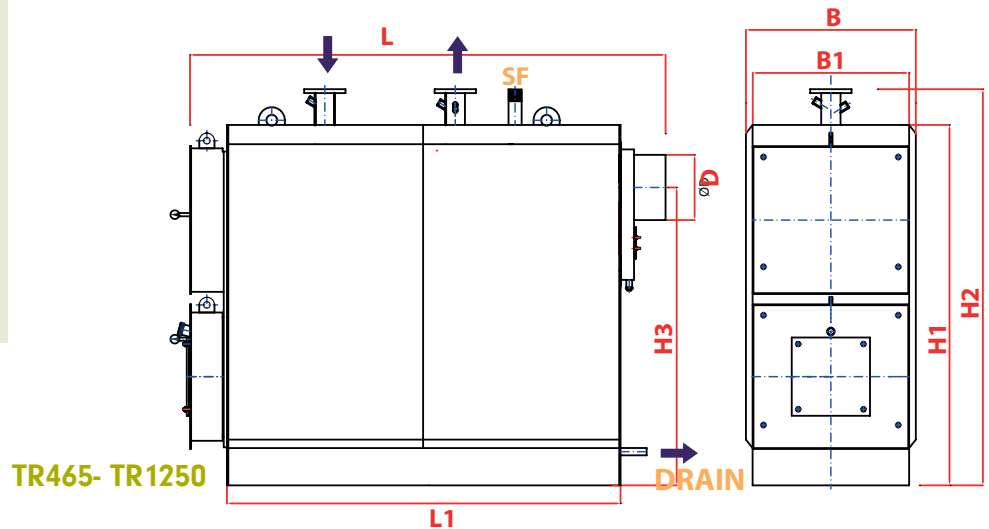
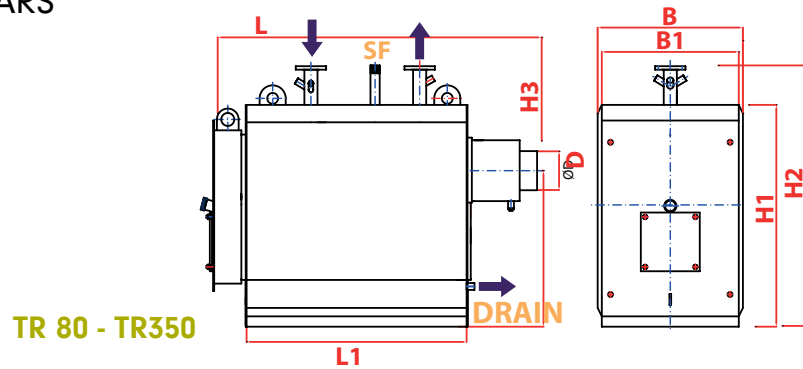
# TR80kW to TR 1250kW

STANDARD PRESSURES 3BARS - 8BARS

SPECIAL ORDER 10BARS - 14BARS

## MAIN FEATURES

- Easy access due to narrow boiler width
- Well-distributed expansion pattern
- Balanced flue gas flow give longer life and low NOx
- Maximum efficiency from turbulators in 3rd Pass
- Aluminium clad 80mm glass wool insulation leads to low standing losses
- Boiler panels fit snugly at factory or on-site



Model	TR80	TR105	TR150	TR200	TR250	TR300	TR350	TR465	TR600	TR810	TR1000	TR1250
Capacity kW	80	105	150	200	250	300	350	465	600	810	1000	1250
L1 mm minimum width	1020	1020	1120	1300	1340	1590	1640	1810	1810	2210	2010	2410
L mm	1510	1510	1610	1790	1840	2090	2137	2187	2200	2612	2422	2827
B1 mm minimum width	630	630	790	790	870	870	870	720	800	800	900	900
B mm	750	750	910	910	990	990	990	840	920	920	1020	1020
H1 mm	1020	1020	1230	1230	1340	1340	1340	1658	1798	1798	1983	1983
H2 mm	1200	1200	1408	1410	1518	1522	1522	1825	1967	1967	2155	2160
H3 mm	718	718	895	895	948	948	985	1370	1535	1535	1670	1670
Flue Diameter mm	180	180	200	200	200	200	240	300	300	300	400	400
Flow valve outlet	DN50	DN50	DN50	DN65	DN65	DN65	DN65	DN80	DN80	DN100	DN100	DN125
Return Valve Inlet	DN50	DN50	DN50	DN65	DN65	DN65	DN65	DN80	DN80	DN100	DN100	DN125
Drain Outlet	DN32	DN32	DN40	DN40	DN40	DN40	DN50	DN50	DN50	DN65	DN65	DN80
Safety valve manifold SFmm	40	40	50	50	50	50	65	65	65	80	80	100
Water Content ltrs	220	230	400	460	520	620	620	550	580	690	790	930
Dry Weight kg	335	340	500	560	655	825	875	1140	1700	2085	2510	2930
Flue Pressure Loss mBARS	0.7	0.9	1.3	1.8	2.3	2.7	3.0	4.8	4.8	4.8	5.5	6.3

**FOR TECHNICAL HELP/ADVICE** Call 0161 621 5960

or email [info@atlanticboilers.com](mailto:info@atlanticboilers.com)

**FOR FULL PRODUCT RANGE & LITERATURE**

Visit [www.atlanticboilers.com](http://www.atlanticboilers.com)



HIGH EFFICIENCY CONDENSING BOILER-PLANT